



Step 1: Connect SANLink2 to your Mac



CAUTIONS

- Connect SANLink2 to one Mac system only.
- Do not place objects on top of SANLink2.



IMPORTANT

Before you connect SANLink2 to your Mac, run the **Software Update**.



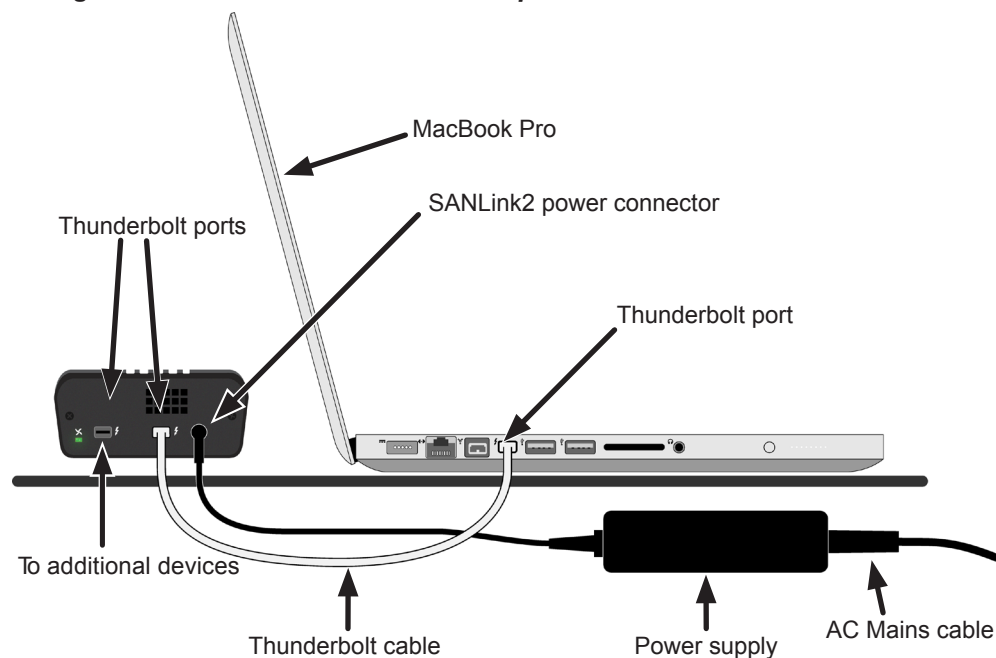
NOTE

To make the necessary connections, SANLink2 requires:

- A Thunderbolt cable
- One or two Optical SFP transceivers

Connect a Thunderbolt cable between a Thunderbolt port on your SANLink2 and a Thunderbolt port on you Mac mini, iMac, MacPro, Macbook Air, or Macbook Pro.

Figure 1. SANLink2 Thunderbolt and power connections



SANLink2 supports the daisy-chaining to additional Thunderbolt devices. Plug the power supply's low voltage cable in to the power connector on the SANLink2. Plug the AC mains cable into the power supply and an electrical outlet. See Figure 1.

Step 2: Connect to Fibre Channel

Option 1. Direct Attached Storage

Connect a Fibre Channel (FC) cable from an FC port on the SANLink2 to an FC port on your VTrak RAID subsystem.

If your VTrak has dual RAID controllers, connect a second FC cable from the other FC port on the SANLink2 to an FC port on the other controller.

Figure 2. SANLink2 connection to FC DAS

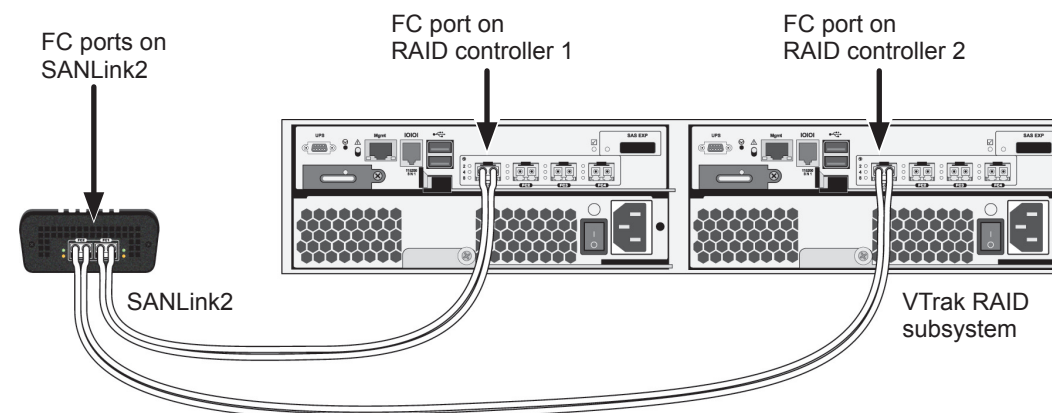
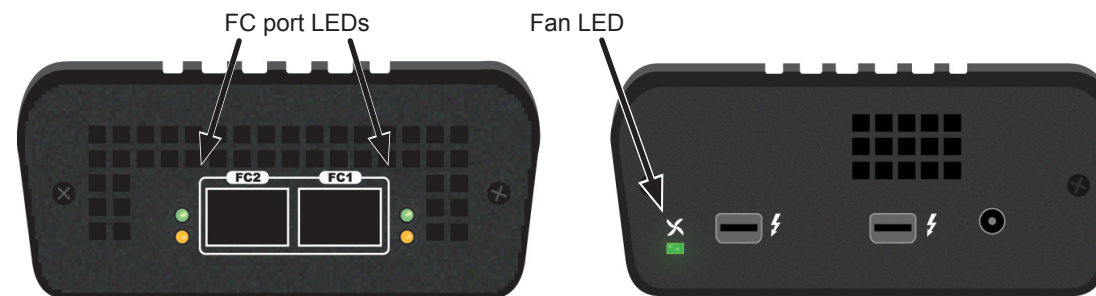


Figure 3. SANLink2 LEDs



LED behavior

| | |
|---------------|--|
| FC Port Link | The upper LED for each FC port lights green when the port is connected. |
| FC Port Speed | The lower LED for each FC port lights amber and displays a flashing pattern to indicate the port speed. |
| Fan | The Fan LED is located on the same panel as the Thunderbolt2 ports. This lights green when the fan is operating normally and red if there is a fan problem. Three flashes indicate an 8Gb connection, two flashes 4Gb, and one flash is 2Gb. |

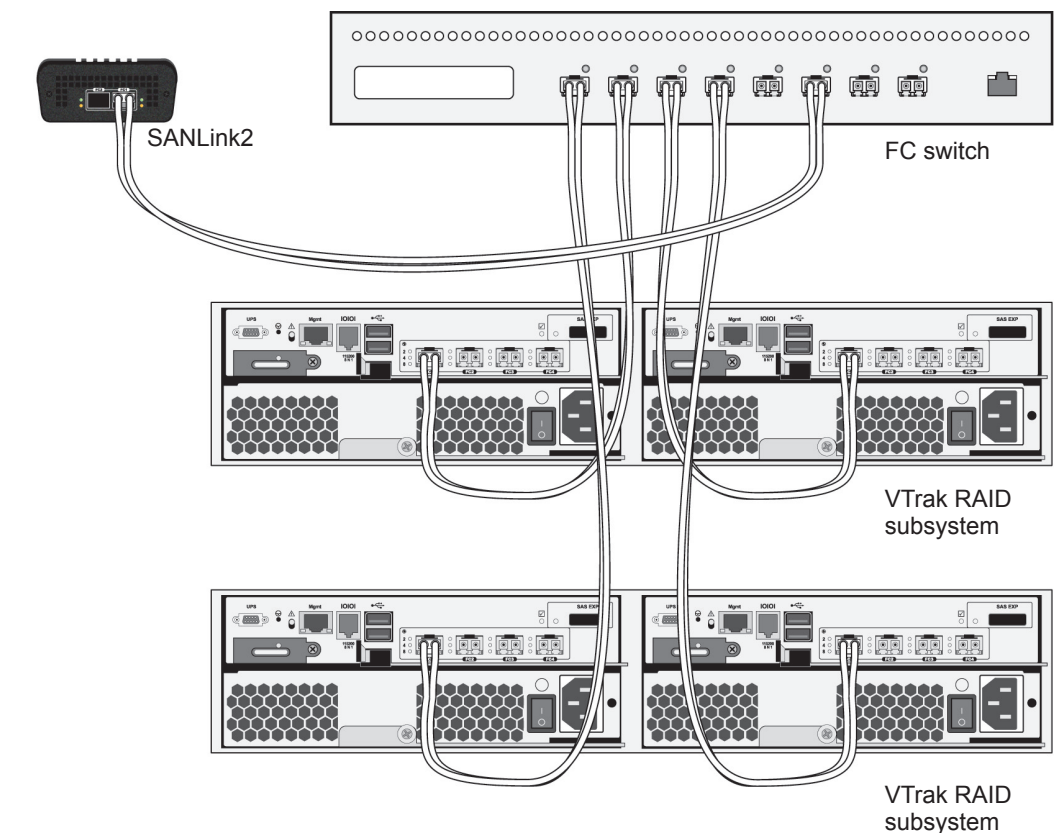
Option 2. Storage Area Network

Connect a FC cable to one of the FC ports on the SANLink2 and to one of the ports on the FC switch.

If your SAN has two FC switches, attach a second cable from the other FC port on the SANLink2 to an FC port on the second FC switch.

Complete any additional FC SAN connections as described in the user manual for your FC switch and RAID subsystems.

Figure 4. SANLink2 connection to FC Switch



Need assistance and more information?

PROMISE E-Support: <https://support.promise.com>

PROMISE Website: <http://www.promise.com/apple/>

The serial number is found on the underside of the SANLink2.

Thunderbolt and the Thunderbolt logo are trademarks of Intel Corporation in the U.S. and/or other countries.